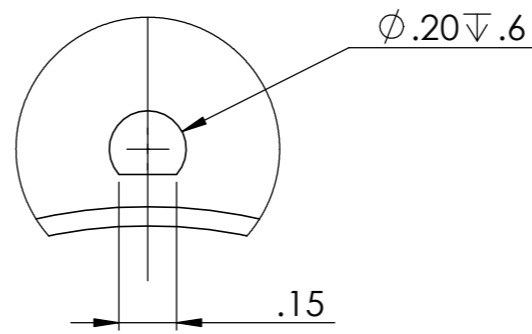
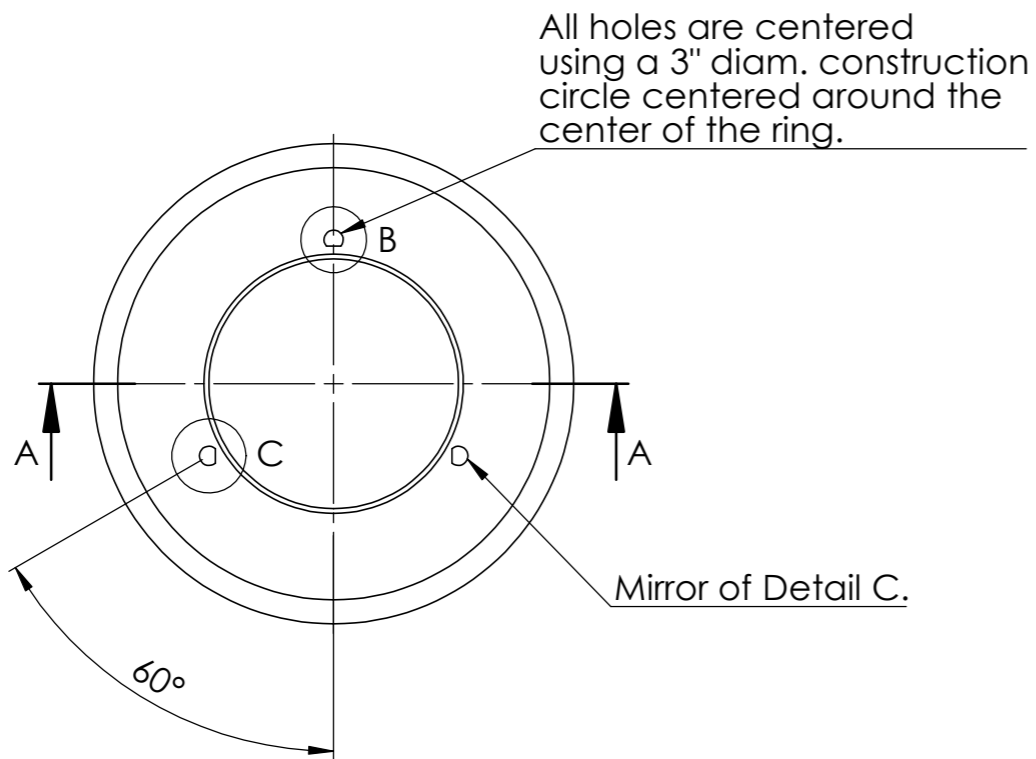
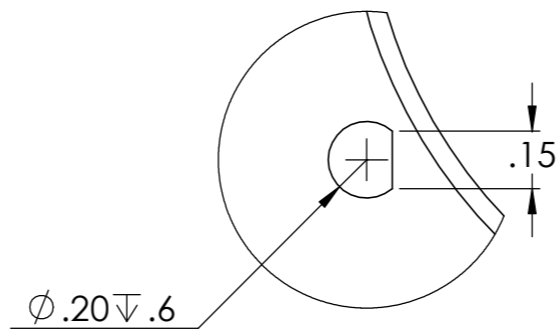


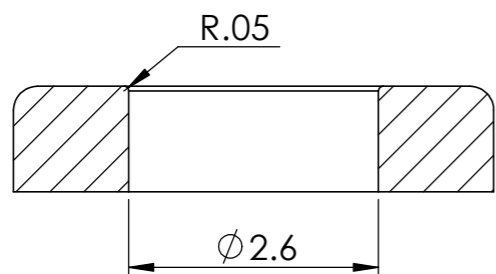
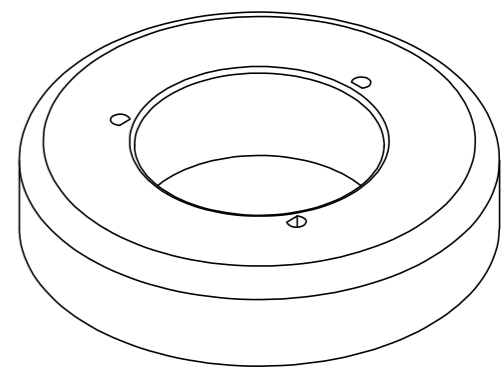
8 7 6 5 4 3 2 1



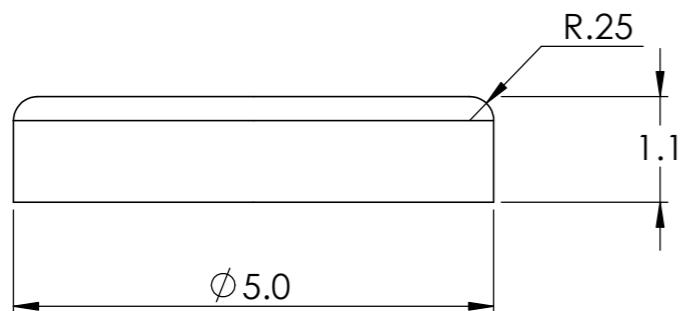
DETAIL B  
SCALE 2 : 1



DETAIL C  
SCALE 2 : 1



SECTION A-A

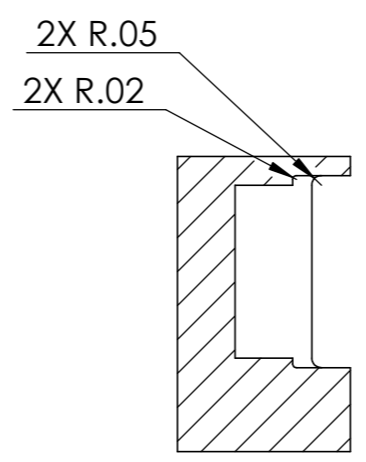
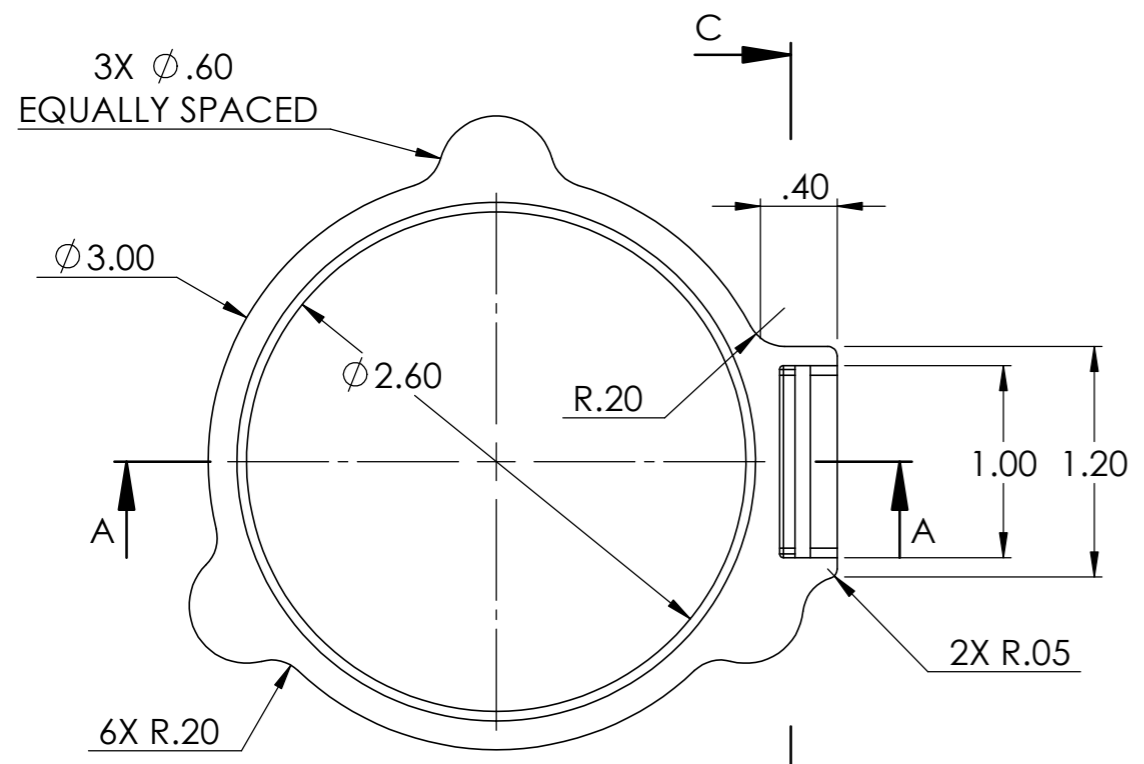
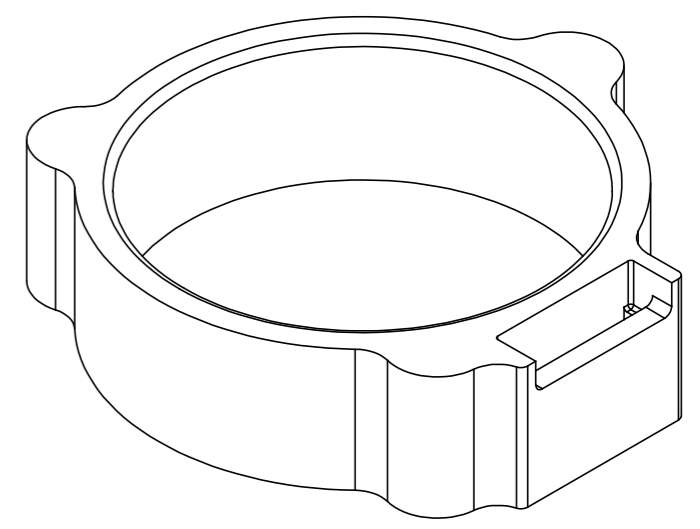
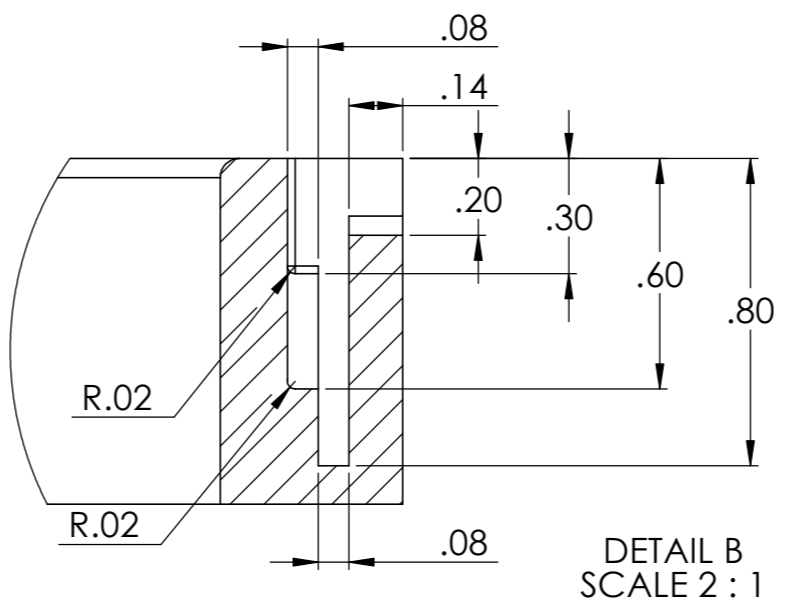
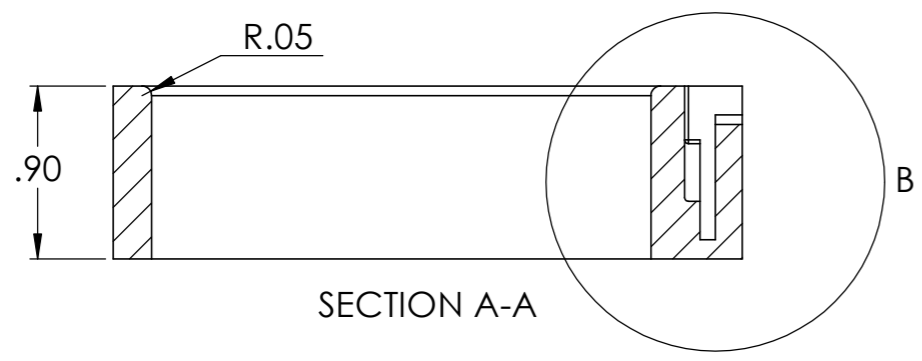


UNLESS OTHERWISE SPECIFIED: DIMENSIONS ARE IN INCHES SURFACE FINISH: TOLERANCES: .05 LINEAR: .05 ANGULAR: .05		FINISH: ADDITIVE MANUFACTURING		PRINT USING DEFAULT PLA SETTINGS AT 10% INFILL.		DO NOT SCALE DRAWING		REVISION A	
DRAWN EAZR		SIGNATURE <i>Earl Zahr</i>		DATE 4/23/21		TITLE: UNIV. OF PORTLAND Measuring Buoy Bottom			
CHK'D RKA		SIGNATURE <i>Rachel Anderson</i>		DATE 4/27/21		DWG NO. WMB001			
APPV'D						SCALE:1:2			
MFG						SHEET 1 OF 8			
Q.A				MATERIAL: PLA		A3			
				WEIGHT:					

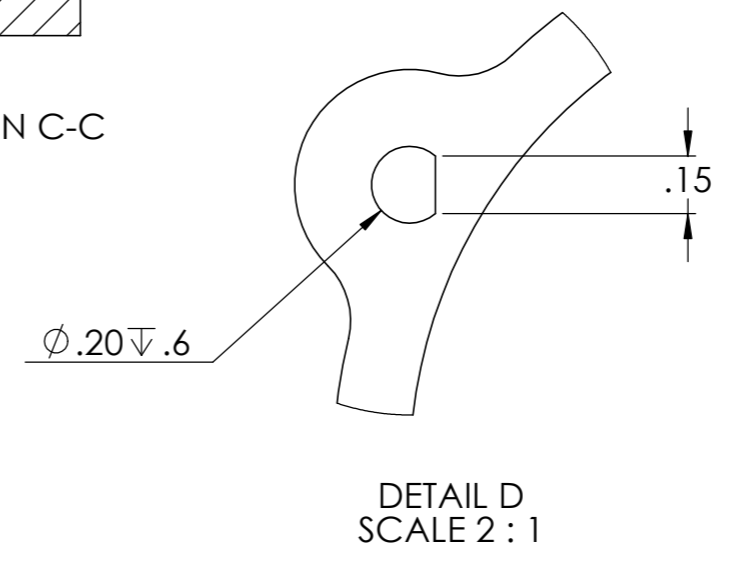
8 7 6 5 4 3 2 1

F  
E  
D  
C  
B  
A

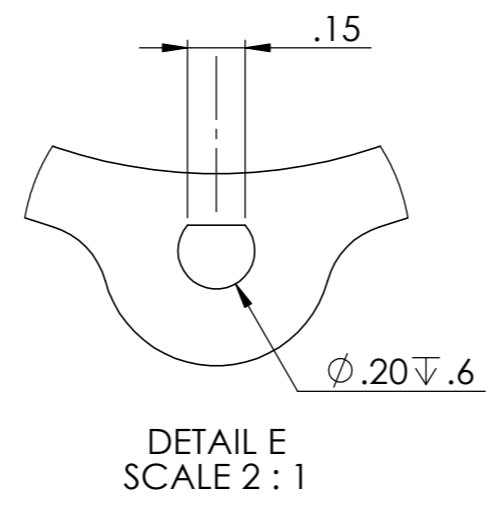
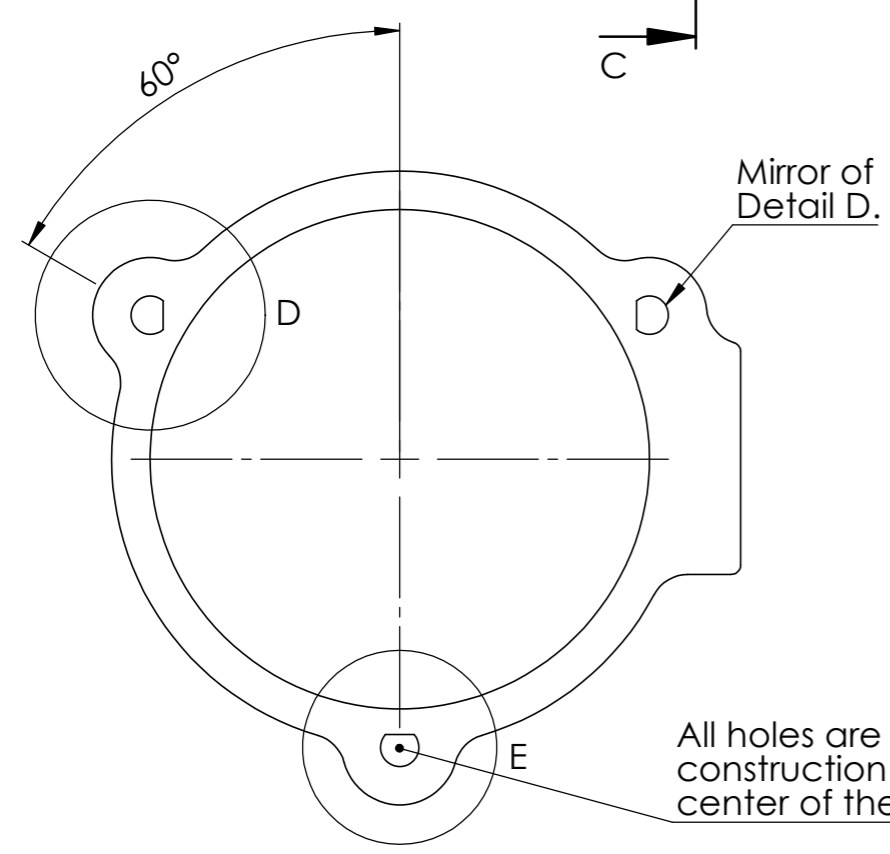
F  
E  
D  
C  
B  
A



SECTION C-C



DETAIL D SCALE 2:1



DETAIL E SCALE 2:1

All holes are centered using a 3" diam. construction circle centered around the center of the ring.

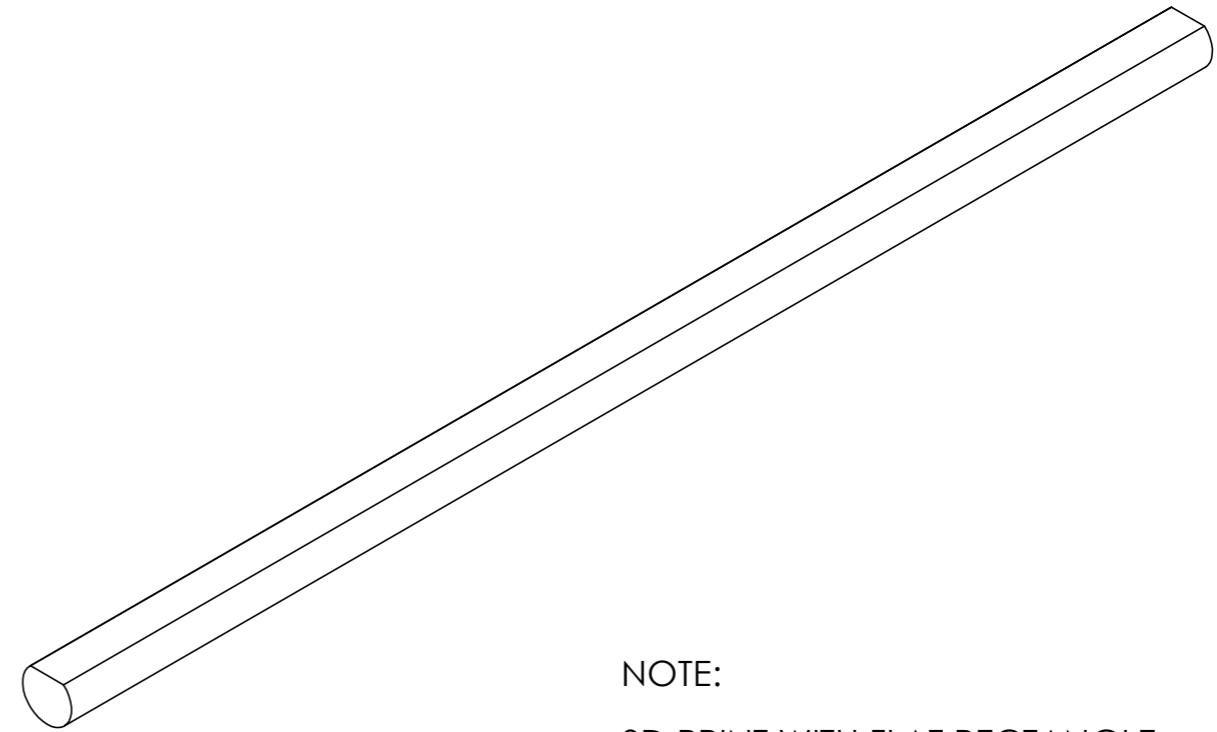
UNLESS OTHERWISE SPECIFIED: DIMENSIONS ARE IN INCHES SURFACE FINISH: TOLERANCES: .05 LINEAR: .05 ANGULAR: .05		FINISH: ADDITIVE MANUFACTURING		PRINT USING DEFAULT PLA SETTINGS AT 10% INFILL.		DO NOT SCALE DRAWING		REVISION A			
DRAWN EAZR CHK'D RKA APPV'D MFG Q.A						NAME EAZR RKA		SIGNATURE <i>E. Azar</i> <i>Rachel Anderson</i>		DATE 4/23/21 4/27/21	
MATERIAL: PLA						WEIGHT:		TITLE: UNIV. OF PORTLAND Measuring Buoy Top		DWG NO. WMB002	
SCALE:1:1						SHEET 2 OF 8		A3		A	

5 4 3 2 1

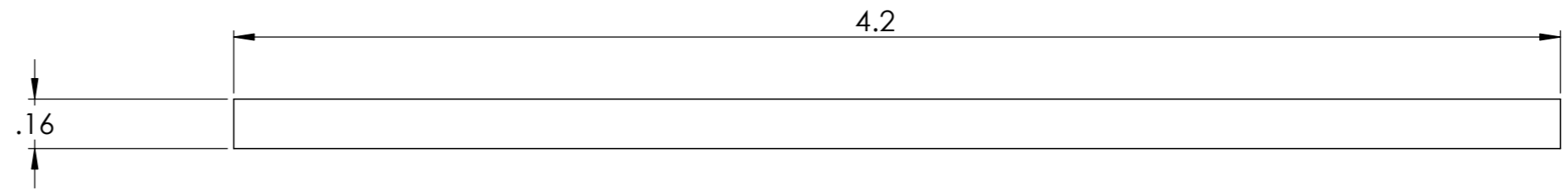
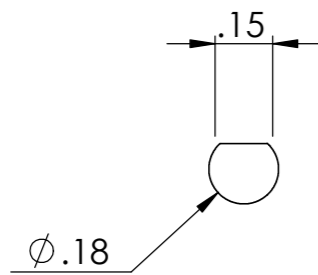
8 7 6 5 4 3 2 1

F  
E  
D  
C  
B  
A

F  
E  
D  
C  
B  
A



NOTE:  
3D PRINT WITH FLAT RECTANGLE  
FACE DOWN ON PRINTER PLATE.



UNLESS OTHERWISE SPECIFIED: DIMENSIONS ARE IN INCHES SURFACE FINISH: TOLERANCES: .05 LINEAR: .05 ANGULAR: .05				FINISH: ADDITIVE MANUFACTURING		PRINT USING DEFAULT PLA SETTINGS AT 90% INFILL.		DO NOT SCALE DRAWING		REVISION A	
								<b>UNIV. OF PORTLAND</b>			
								TITLE: <b>Measuring Buoy Rod</b>			
				MATERIAL: PLA		DWG NO. <b>WMB003</b>			A3		
				WEIGHT:		SCALE:2:1			SHEET 3 OF 8		

8 7 6 5 4 3 2 1

F

F

E

E

D

D

C

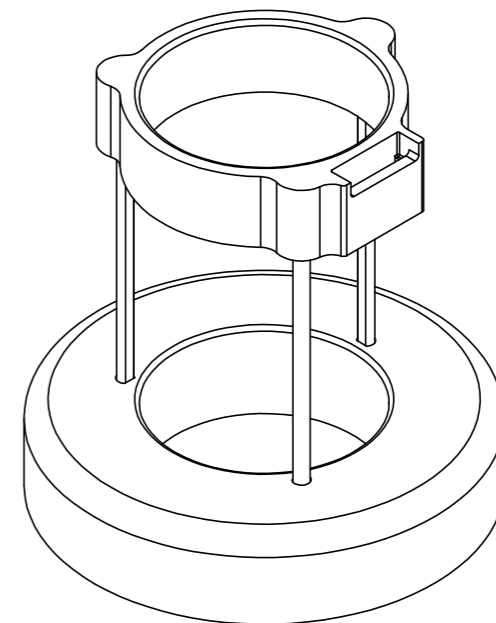
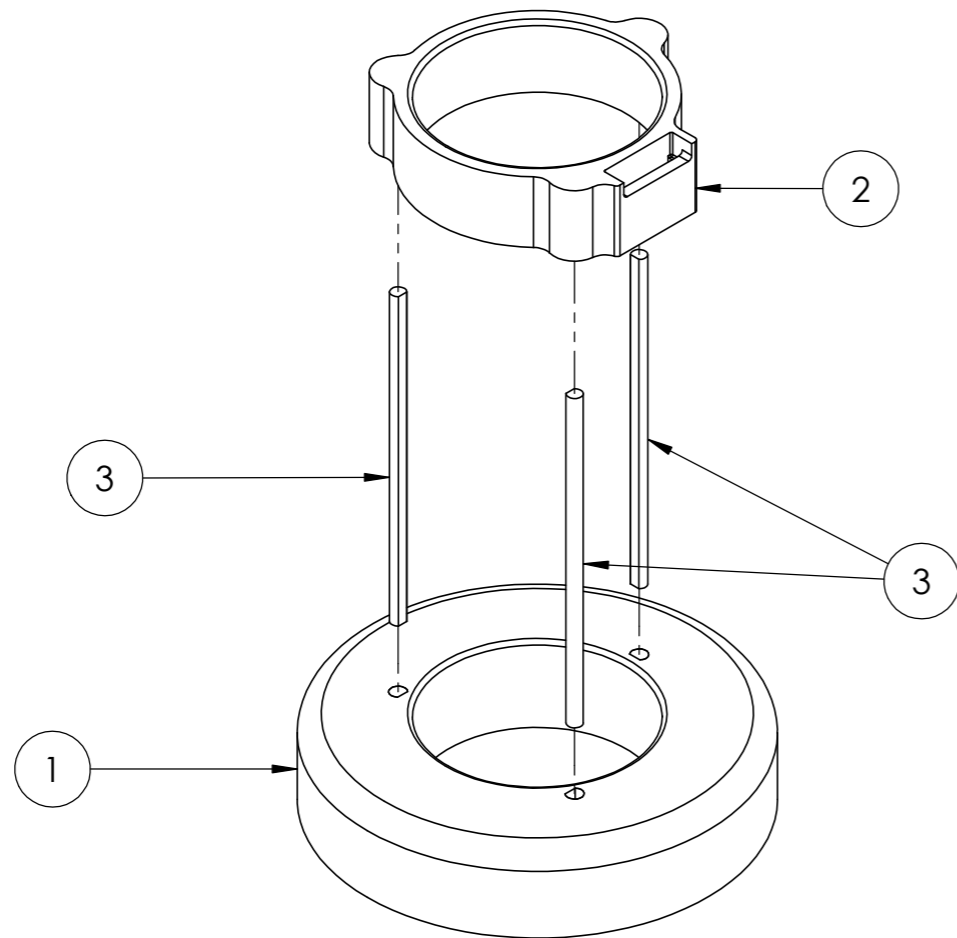
C

B

B

A

A



ITEM NO.	PART NUMBER	DESCRIPTION	QTY.
1	WMB001	Measuring Buoy Bottom	1
2	WMB002	Measuring Buoy Top	1
3	WMB003	Measuring Buoy Rod	3

UNLESS OTHERWISE SPECIFIED: DIMENSIONS ARE IN INCHES SURFACE FINISH: TOLERANCES: LINEAR: ANGULAR:		FINISH:  ADDITIVE MANUFACTURING		DEBURR SHARP EDGES OF ROD ENDS FOR TIGHT FIT.		DO NOT SCALE DRAWING		REVISION A	
						<b>UNIV. OF PORTLAND</b>			
						TITLE: <b>Measuring Buoy Assembly</b>			
						DWG NO. <b>WMB_ASSY</b>		A3	
						SCALE:1:2		SHEET 4 OF 8	